



# VIDEO FURNITURE INTERNATIONAL

Furniture Designs That Communicate

103420EX Multimedia Furniture

## Model 103420EX Multimedia Stand

VFI's 103420EX multimedia stand is the logical choice in a roll-about cart for your smaller peripherals. This multi-purpose cart is great for items such as computer monitors, LCD projectors, overhead projectors and laptops. Its flip up shelf is ideal when you need extra space for your laptop or presentation notes. The unit is equipped with multiple cable management ports as well as a rear access door. The cart's interior is engineered to allow easy shelf adjustment and installation of optional 16 rack unit rack rails. This cart is shipped fully assembled to save your staff time during installation. Finished with a highly resistant black thermowrap top and your choice of thermowrap color.

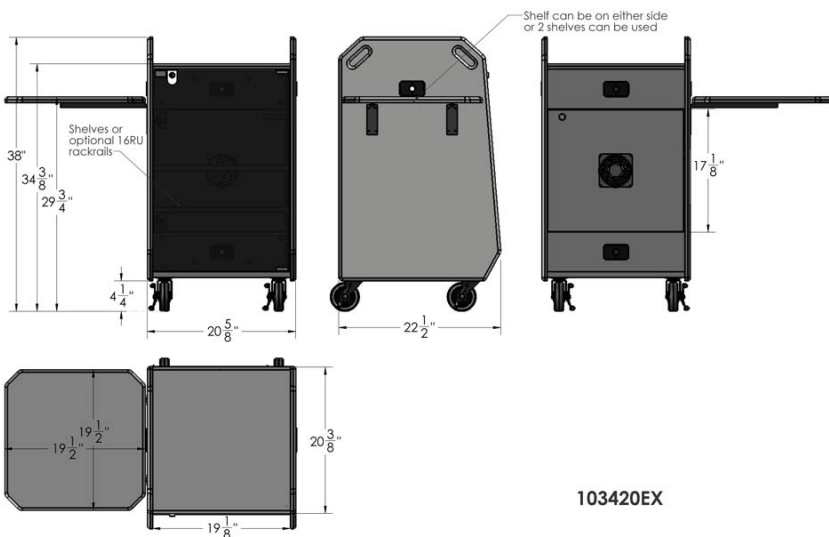
### Standard Features Include:

- Machined MDF with thermowrap finish
- Highly resistant surface surf(x)
- Rear door for easy access to equipment stored inside
- Adjustable interior shelf
- Four rear panel cable access ports
- Tinted acrylic doors
- Flip up shelf
- 4" heavy duty casters (2 locking)
- Ships fully assembled

### Options

- 16RU rack rails (10-32 screws)
- **PB** Six outlet power bar with 10 ft cord
- **MM1232** 12"-32" LCD Monitor/TV mount
- **CAM** camera stand
- **C900S** adjustable monitor arm
- **9107** Lacing bar (19" long)
- 6" heavy duty casters
- Exhaust fan

\* Ask your reseller about adding microphones, lights and other add-on options



### Specifications:



MODEL	WIDTH	DEPTH	HEIGHT
103420EX	23"	22 1/2"	38"

VFI can build or modify stock configurations to suit customer specifications. Please contact us to discuss how this service can help meet your needs. Some quantity restrictions may apply.

\* Specification subject to change without notice

\* Computers, cameras, monitors, etc. are shown to illustrate product usage and are not included unless otherwise noted.

190 Don Hillock Drive . Aurora . Ontario . L4G 0G9

Tel: (905) 751-1459 Toll Free: (877) 834-3876 Fax: (905) 751-1488

sales@video-furn.com

www.video-furn.com