



# VIDEO FURNITURE INTERNATIONAL

Furniture Designs That Communicate

## Package F PM-DSH with PM-S-FL



## Package F PM-DSH with PM-S-FL

Package F, comprised of the PM-S-FL stand and the PM-DSH desktop surface and handles are an ideal combination when mobility is required. This pair perfectly lends itself to most educational teaching, business, military, courtroom and corporate training environments.

PM-S-FL accommodates 32" and up flatscreens. It features an adjustable camera/codec shelf and a six position front shelf ideal for electronics. Mobility is provided by four heavy duty 5" metal casters with non marking tires. Front casters are locking.

PM-DSH features side handles and a large work surface ideal for laptops, keyboard/mouse.

### Standard Features Include:

#### PM-DSH (Desk Surface with Handles)

- Heavy duty construction powder coated black
- Work surface of 25 1/4" w X 18" d
- Rear wiring grommets
- Built in handles for easy maneuvering

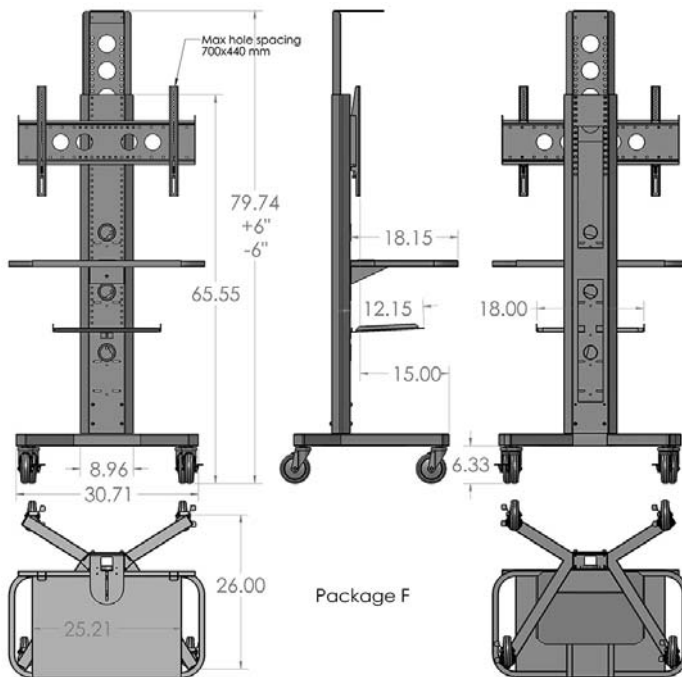
#### PM-S-FL (Mobile Stand)

- Sturdy 11 ga steel, powder coated texture black
- Wiring channel inside main pillar
- Adjustable TV and camera height during setup
- Accommodates 32" and larger TV's, some up to 52" (Max mount spacing 700mm x 440mm)
- Includes one shelf 18" w X 11 1/2" deep

### Options

- PM-CMP, PM-PB, SH-PM, LCD1222, LB3 lockbox
- PM-HDCB, PM-HD-EXP, BKT-KIT, PM-CAM, FEET

See our website for a complete list and descriptions of options at [www.video-furn.com](http://www.video-furn.com)



### Specifications:

BLACK

PACKAGE	WIDTH	DEPTH	HEIGHT
F	TV	26"	74-86"

VFI can build or modify stock configurations to suit customer specifications. Please contact us to discuss how this service can help meet your needs. Some quantity restrictions may apply.

\* Specification subject to change without notice

\* Computers, cameras, monitors, etc. are shown to illustrate product usage and are not included unless otherwise noted.

190 Don Hillock Drive . Aurora . Ontario . L4G 0G9

Tel: (905) 751-1459 Toll Free: (877) 834-3876 Fax: (905) 751-1488

[sales@video-furn.com](mailto:sales@video-furn.com)

[www.video-furn.com](http://www.video-furn.com)