



VIDEO FURNITURE INTERNATIONAL

Furniture Designs That Communicate

PM-XFL-D Plasma/LCD Stand



Model **PM-XFL-D** Plasma/LCD Stand

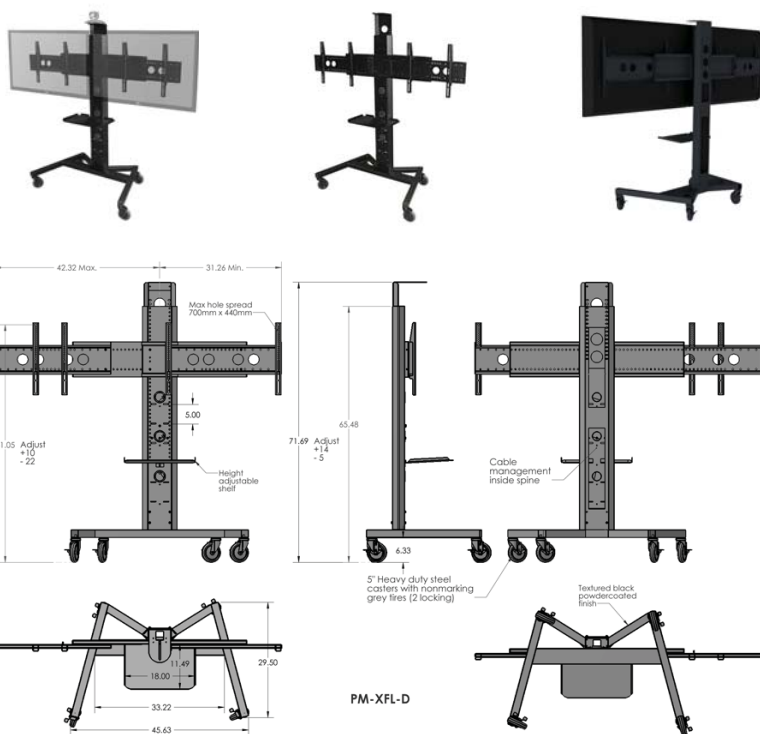
The PM-XFL-D mount for dual monitors is a self supporting, wheeled stand with adjustable 6 position shelf for DVD players, cable or satellite receiver, videoconference codecs or audio amplifier. This mount accommodates most 32" to 55"+ monitors.

Standard Features Include:

- Sturdy 11 Ga steel construction
- Base is heavy duty steel tube construction
- Scratch resistant powder coat finish
- 325lb capacity metal 5" casters with ballbearings, non-marking wheels, 2 are locking
- Wiring channel inside main pillar
- Adjustable height camera mount during setup
- Adjustable TV bracket height during setup
- Accommodates 32" - 55"+ displays
- Includes one shelf 18"w x 11.5"d

Options

- **SH-PM** Additional shelves (up to 6 total)
- **BKT-KIT** Additional bracket for rear or below main TV
- **LB3** Lockbox for Codecs/Electronics
- **PM-CMP** Camera mounting plate (Req'd with Eagle Eye)
- **PM-HDCB** HD codec mount
- **PM-CAM** For mounting camera below TV
- **PM-HD-EXP** Lifesize Express/200 bracket
- **PM-PB** Mounted six outlet power bar with 10 ft cord
- **LCD1222** Monitor/touchscreen controller bracket
- **PM-2RU** Bracket
- **SBB** Sound bar bracket
- **CBB-TV** Camera bracket (26" - 70" TV's)
- **FEET** Adjustable height feet for non-mobile installs



Specifications:

BLACK

MODEL	WIDTH	DEPTH	HEIGHT
PM-XFL-D	63"+	29 1/2"	65"+

VFI can build or modify stock configurations to suit customer specifications. Please contact us to discuss how this service can help meet your needs. Some quantity restrictions may apply.

* Specification subject to change without notice

* Computers, cameras, monitors, etc. are shown to illustrate product usage and are not included unless otherwise noted.

190 Don Hillock Drive . Aurora . Ontario . L4G 0G9

Tel: (905) 751-1459 Toll Free: (877) 834-3876 Fax: (905) 751-1488

sales@video-furn.com

www.video-furn.com