



VIDEO FURNITURE INTERNATIONAL

Furniture Designs That Communicate

TP1000-D Telepresence Stand

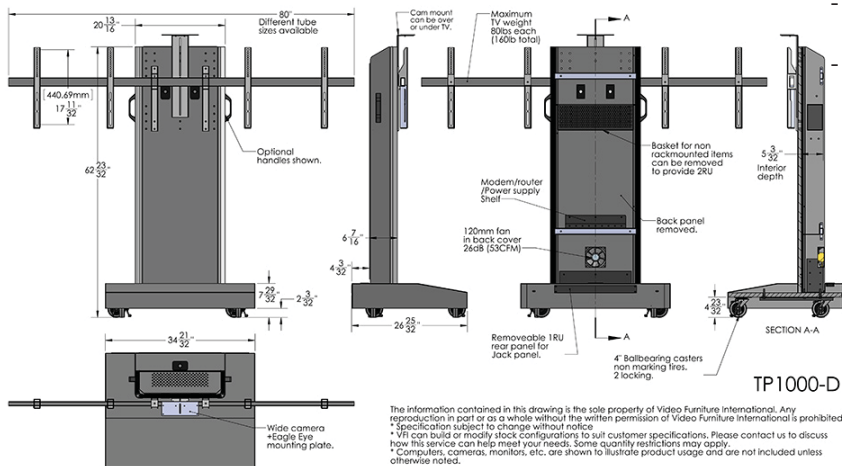


Model TP1000-D Telepresence Stand

VFI's Telepresence stand provides a clean modern look for a wide range of video conferencing and flat panel display applications. It features a self supporting frame with built in 2RU rack unit with basket engineered for all common videoconference codecs and accessories. It also includes 4" casters for positioning after setup. The TP1000-D accommodates flatpanel TV's up to 80 lbs each (160 lbs total). See your display manufacturers website for installation guide or spec to confirm mounting hole locations.

Standard Features Include:

- Furniture grade laminate, aluminum and steel construction
- Base is weighted
- Accommodates flatscreen TV's up to 160 lbs
Please contact VFI to confirm as larger TV's may also require a longer cross bar
- Adjustable TV bracket height during setup
- Adjustable camera mount for mounting above or below TV
- Wiring channel inside main pillar
- Includes 2RU mounted codec basket, 1RU rear panel and electronics shelf
- **PB** 6 outlet power bar with 10ft cord mounted inside
- 4" casters for re-positioning (requires caster upgrade to be mobile)
- **FAN** 120mm quiet fan (53CFM)



Options

- **PB** Additional six outlet power bar with 10 ft cord
- **SBB** Sound bar bracket
- **PM2-ARM**
- Colors: Other colors available with lead time

Specifications:

BLACK

MODEL	WIDTH	DEPTH	HEIGHT
TP1000-D	33"+	24"	60 1/2" +

VFI can build or modify stock configurations to suit customer specifications. Please contact us to discuss how this service can help meet your needs. Some quantity restrictions may apply.

* Specification subject to change without notice

* Computers, cameras, monitors, etc. are shown to illustrate product usage and are not included unless otherwise noted.

190 Don Hillock Drive . Aurora . Ontario . L4G 0G9

Tel: (905) 751-1459 Toll Free: (877) 834-3876 Fax: (905) 751-1488

sales@video-furn.com

www.video-furn.com